



Product designation

Rope-pull lever
with reset button

Product type designation

RS131310

General characteristics

Material

Housing

Polymer
thermoplastic

Contact characteristics

Type of contact

1NO+1NC

Thermal current I_{th}

A 10

Rated insulation voltage U_i

V 250

Short-circuit protection with fuse

Class/A 10 gG/SC
QUICK FUSE

IEC Conventional free air thermal current I_{th}

A 10

Resistance per pole (average value)

mΩ <10

Mechanical features

Operating head fixing

Screwed

Operating torque

N 25
lb 5.6

Tightening torque (Max)

Switch fixing

Nm 2.5
lbin 22.1

Contact terminals

Nm 0.8
lbin 7

Body lid screw fixing

Nm 0.8
lbin 7

Conductor section

AWG/Kcmil

max 14

IEC

min mm² 1 or 2
max mm² 2.5

Cable connection

Self-releasing
screw terminal

Cable entry

PG11

Weight

g 92

Operations

Mechanical life

cycles 100000

Mechanical operation

cycles/h 1800

Ambient conditions

Temperature

Operating temperature

| | | |
|-----|----|-----|
| min | °C | -25 |
| max | °C | +70 |

Storage temperature

| | | |
|-----|----|-----|
| min | °C | -40 |
| max | °C | +70 |

Resistance & Protection

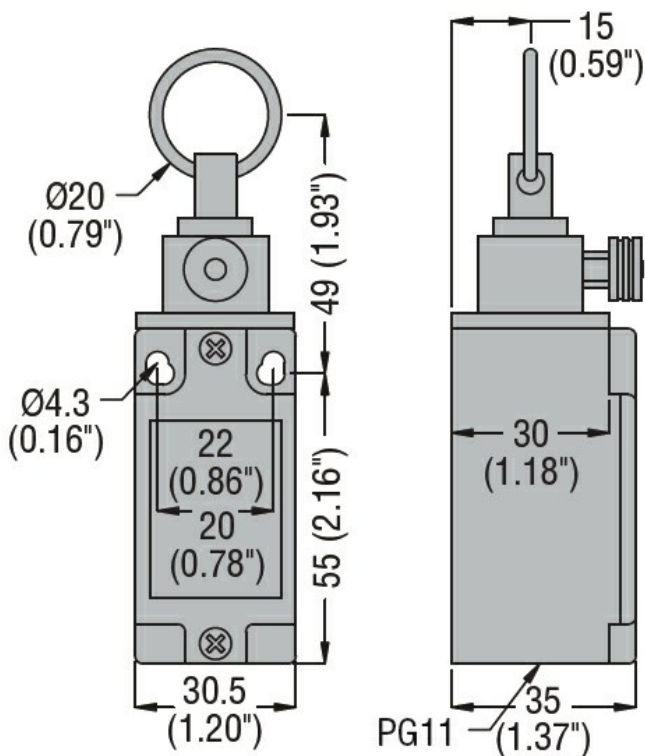
IP degree

| | |
|--------------|------|
| Body housing | IP65 |
|--------------|------|

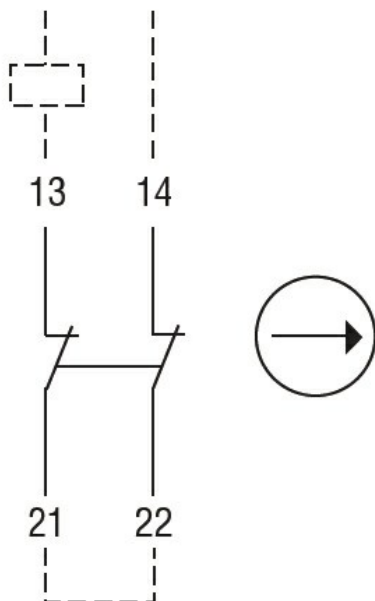
Pollution degree

3

Dimensions



Wiring diagrams



Certifications and compliance

Compliance

CSA C22.2 n° 14

IEC/EN 60204-1

IEC/EN 60947-1

IEC/EN 60947-5-1

ISO 13850; UL508

Certificates

cULus

EAC

ETIM classification

ETIM 8.0

EC000030 - End
switch